

HUGO

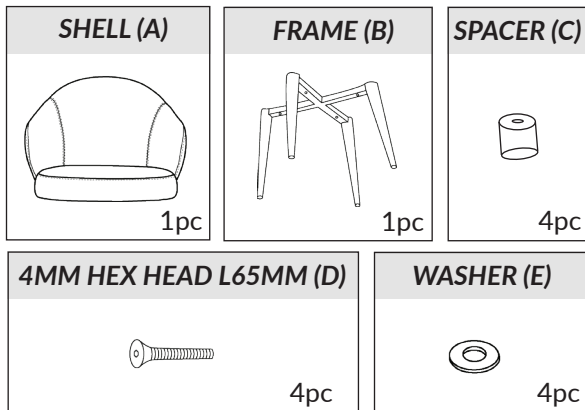
Metal 4 Leg Chair

ez ASSEMBLY
INSTRUCTIONS

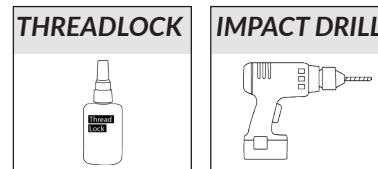


scan me

PARTS:



TOOLS (NOT INCLUDED):



We strongly recommend applying thread lock to the full length of all screws and using an impact drill. Scan the QR code with a phone or tablet to access the assembly video.

WARNING:

Always take care with an impact drill gun, especially when screwing into the frame.

INSTRUCTIONS:

